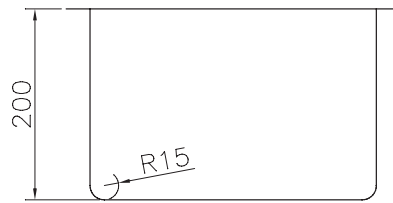
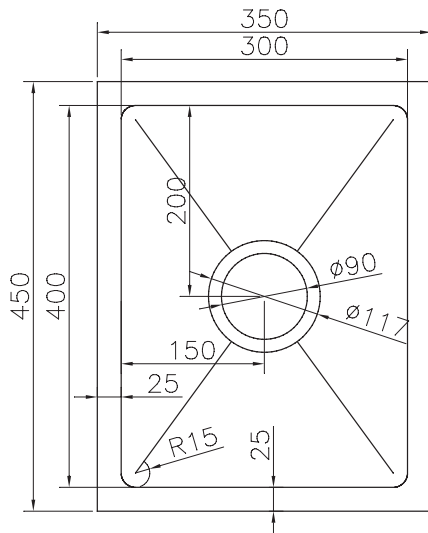


\* Note: Square corner model pictured



- Suitable for **top-mount** or **under-mount**.
- Made from **1.2mm 304** stainless steel.
- **200mm Deep**.
- Alternate sizes available in project quantities.
- Square corner model pictured

