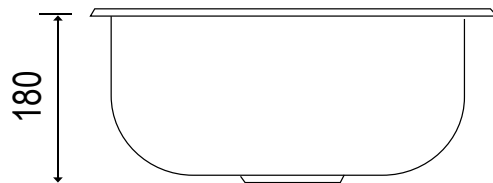
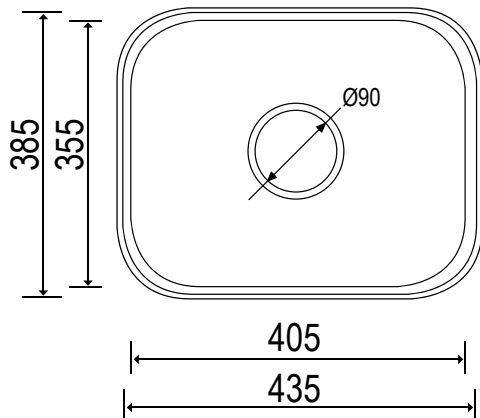


UPTOWN<sup>®</sup>  
DOMESTIC

TM435



**Slim Edge Sink Bowl - 435 x 385 x 180mm**

- Manufactured from 18/10 stainless steel.
- Supplied with Basket Strainer Waste.
- Raised flange (5mm).
- No clips required - silicone only.



**VICTORIA**  
Interchange Sales & Marketing P/L  
Unit 4/49 Corporate Blvd  
Bayswater Vic 3153  
Ph: 03 9729 6411  
Fax: 03 9729 5722  
Email: [interchange@netspace.net.au](mailto:interchange@netspace.net.au)  
[www.interchangesales.com.au](http://www.interchangesales.com.au)

**NSW & QUEENSLAND**  
Broadway Bathroomware  
27 Shirlow St  
Marrickville NSW 2204  
Ph: 02 9907 2505  
Fax: 02 9907 2504  
Email: [baths@bigpond.net.au](mailto:baths@bigpond.net.au)  
[www.broadwaybaths.com.au](http://www.broadwaybaths.com.au)

**SOUTH AUSTRALIA**  
Enterprise Agencies P/L  
PO Box 731  
Mitcham SA 5062  
Ph: 08 8443 8889  
Fax: 08 8443 5889  
Email: [entag@adam.com.au](mailto:entag@adam.com.au)

**TASMANIA**  
Allan Powell Agencies  
Warehouse 1, Broadland Dve  
Launceston TAS 7250  
Ph: 03 6334 2992  
Fax: 03 6334 2994  
Email: [apagencies@apagencies.com](mailto:apagencies@apagencies.com)