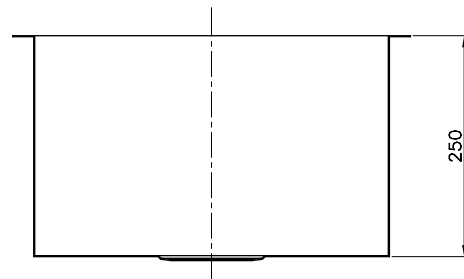
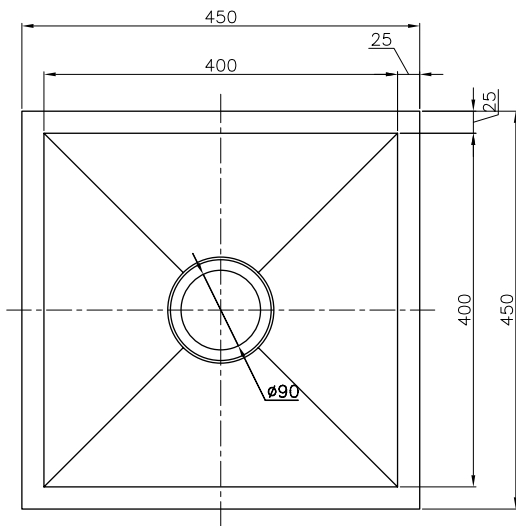
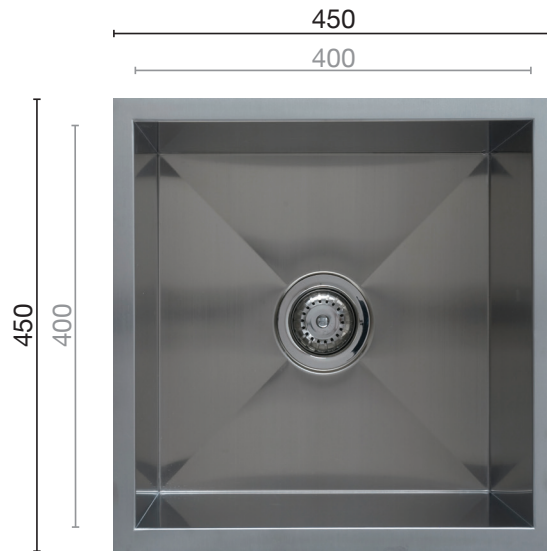


**UPTOWN**  
CONTEMPORARY

250 Series - Square Corners

**UTS400**



- Suitable for **top-mount** or **under-mount**.
- Made from **1.2mm 18/10** stainless steel.
- Sinks are **250mm deep**.
- Complete with 90mm designer basket waste.
- Alternate sizes available in project quantities.



**VICTORIA**  
Interchange Sales & Marketing P/L  
Unit 4/49 Corporate Blvd  
Bayswater Vic 3153  
Ph: 03 9729 6411  
Fax: 03 9729 5722  
Email: interchange@netspace.net.au  
www.interchangesales.com.au

**NSW & QUEENSLAND**  
Broadway Bathroomware  
27 Shirlow St  
Marrickville NSW 2204  
Ph: 02 9907 2505  
Fax: 02 9907 2504  
Email: baths@bigpond.net.au  
www.broadwaybaths.com.au

**SOUTH AUSTRALIA**  
Enterprise Agencies P/L  
PO Box 731  
Mitcham SA 5062  
Ph: 08 8443 8889  
Fax: 08 8443 5889  
Email: entag@adam.com.au

**TASMANIA**  
Allan Powell Agencies  
Warehouse 1, Broadland Dve  
Launceston TAS 7250  
Ph: 03 6334 2992  
Fax: 03 6334 2994  
Email: apagencies@apagencies.com